



SIRUI 6-YEAR
U.S. WARRANTY ONLY
HONORED WHEN
PURCHASED FROM A U.S.
AUTHORIZED DEALER

NEW! SIRUI VSK-5 Video Survival Kit Puts 5 Key Products into 1 Small Package



VSK-5

VSK-5

The compact kit that lets you
build the gear you need, when
you need it!

The **SIRUI VSK-5** is a compact kit that lets you build the gear you need, when you need it! The kit lets you construct a **Cage, Rig, Lowboy, Roller or Slider** in minutes! You'll never have to worry about being in the field without the right tools to do the job!

You would need to buy 5 separate pieces of equipment – much heavier and costlier gear - to do what the **SIRUI VSK-5** kit can do! It comes in a portable backpack that neatly stores all the components until you need them.

All major hardware is forged aircraft grade **aluminum alloy** – precision crafted for maximum strength and long life. All rods are strong, **lightweight 15 layer 100% Carbon Fiber** and can be setup or disassembled quickly and easily.

Each configuration can be built in minutes, without the need of special tools! Start working with the **VSK-5** as a **Shoulder Rig**, then, quickly change to a **Lowboy** for that low angle shot! Need to track a subject or smoothly move in? Attach your gear onto the Roller or Slider instantly!

Shoulder Rig

This extremely strong, but surprisingly **lightweight Rig** can be built to fit any camera system. The **padded handles** can easily be positioned to many different angles, for maximum comfort and flexibility. The shoulder pad and extension tubes are **completely adjustable**. The frame is made of **aircraft grade forged aluminum** and the tubes are **15 layer 100% carbon fiber**.



Cage and Lowboy

By turning up the handles of the **Shoulder Rig**, you can turn it into a **Cage** that can hold a camera system. The multiple holes allow attaching various accessories – monitors, lights, microphones, etc. By adding the **Top Handle**, the **Cage** becomes a **Lowboy** that lets you shoot from low angles without the need to get on the ground.

Roller Dolly

The Roller Dolly can be used alone or on the Slider rails. The Sirui designed **Dual Use wheels** have a channel for use on 15mm rails and a rim for use on flat surfaces. The front and rear axles can be independently positioned for use in a straight line, arc or freely follow a rail system. The **Wheel Friction Adjustment** lets you control the speed of the Roller Dolly as it rolls down an incline.

Slider

The **15mm diameter tubing is 15 layers of 100% Carbon Fiber** for maximum strength and exceptional light weight. For easy storage and maximum flexibility, the tubes can be screwed together when additional length is needed. The strong End Block is capable of holding 17.6lb (8 kg).



The **SIRUI VSK-5** Video Survival Kit is the perfect tool for shooting videos on the go! You'll never need to decide what gear you should bring to an assignment. With the **VSK-5**, you will always have all that you need!

VSK-5 ACCESSORY

Item #	Sirui Model #	Materials	Length in (mm)	Width in (mm)	Height in (mm)	Weight lb (kg)	Load lb (kg)	MSRP	MAP	NET
BSRVSK5	VSK-5	Aluminum Alloy						\$999.00	\$799.95	\$599.25
Cage			12.8 (326)	8.0 (203)	11.6 (295)	2.6 (1.2)	8.8 (4)			
Lowboy			12.8 (326)	8.2 (209)	14.4 (366)	1.3 (0.6)	8.8 (4)			
Roller			10.3 (262)	6.5 (165)	2.3 (58)	1.3 (0.6)	26.5 (12)			
Slider			34.0 (863)	7.8 (198)	4.4 (111)	4.4 (2)	17.6 (8)			
Rig			33.4 (849)	12.8 (326)	12.4 (315)	4.0 (1.8)	8.8 (4)			



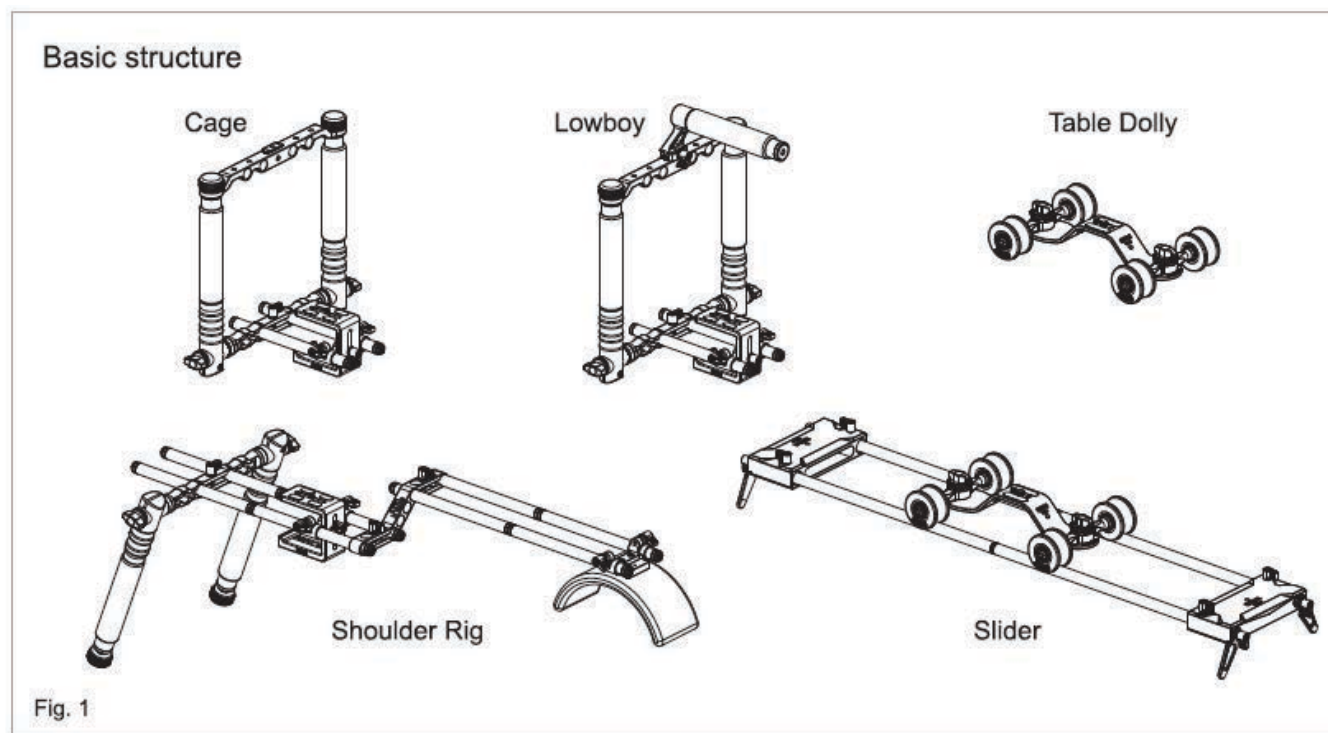
www.argraph.com

Address: 111 Asia Place, Carlstadt, NJ 07072
Phone: 201.939.7722

Twitter: @argraph

SIRUI VSK-5 PARTS AND CONFIGURATIONS

LIST OF PARTS	QTY	Note	RIG	CAGE	LOWBOY	SLIDER	TABLE DOLLY
SIDE HANDLES WITH CROSSBAR	1		X	X	X		
TOP HANDLE	1				X		
TABLE DOLLY ROLLER	1	with 1/4" & 3/8" screws					X
SLIDER END BLOCK	2					2 Pieces	
SLIDER RODS - 15mm diameter x 400mm	4	15 layer Carbon fiber				4 Pieces	
ROD CONNECTING SCREWS	6		2-4 Pieces			2 Pieces	
SHOULDER PAD	1		X				
RIG RODS - 15mm diameter x 200mm	8	15 layer Carbon fiber	2-8 Pieces	2-4 Pieces	2-4 Pieces		
"C" BASE PLATE	1		X	X	X		
RIG ROD END PLUGS	8		4-8 Pieces	4 Pieces	4 Pieces		
ATTACHING SCREWS	2		2 Pieces	2 Pieces	2 Pieces		
Z BAR	1		X				
TOP BAR	1			X	X		
BAG FOR RODS	1	Holds all rods					
BACKPACK	1	Holds all parts					



Constructing the Cage

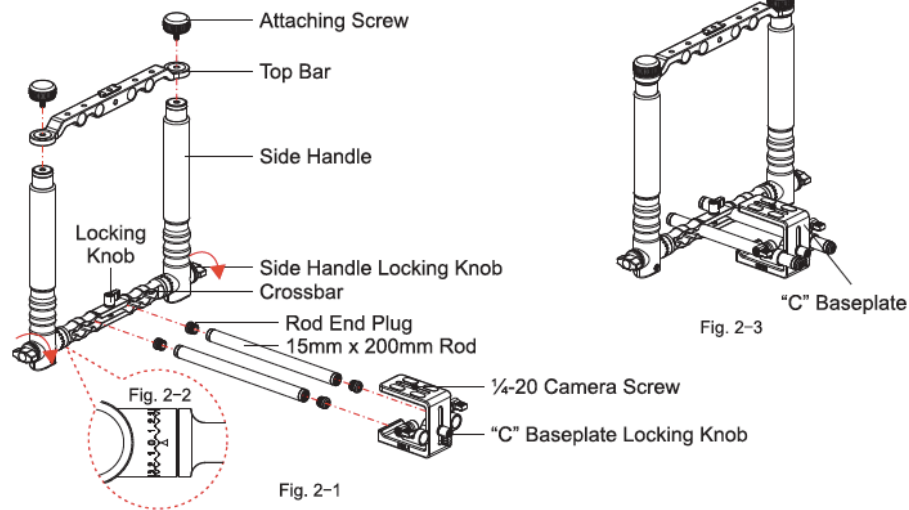
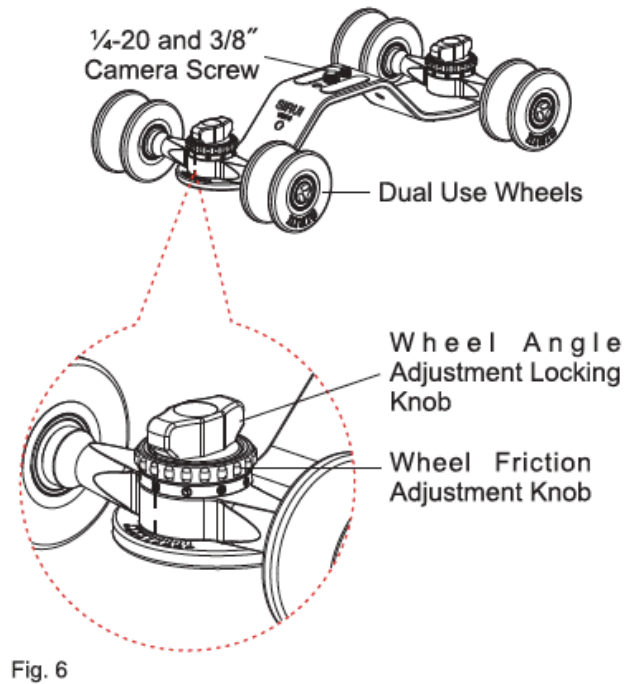
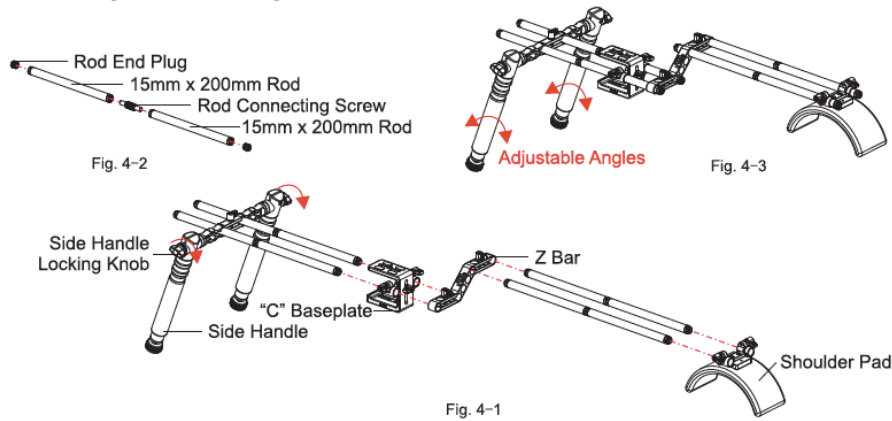


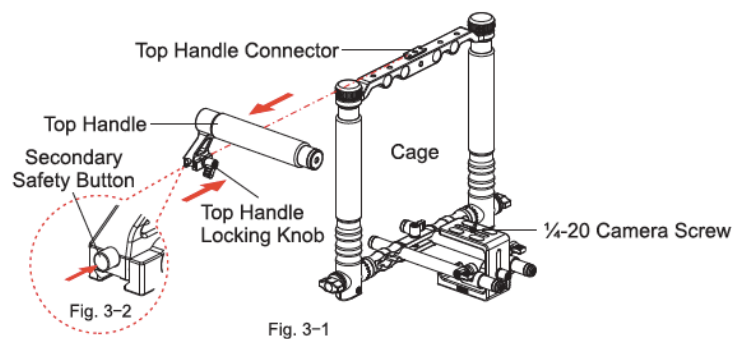
Table Dolly Operation



Constructing the Shoulder Rig



Assembly and disassembly of the Lowboy



Constructing the Slider

