

DAHLE

VANTAGE Trimmers

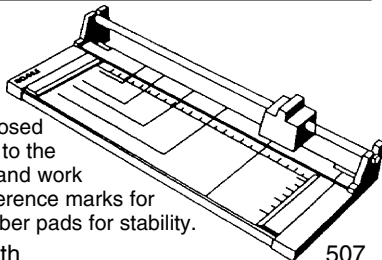
- Locking, spring-action metal blade
- Automatic clamp guards fingers and ensures accurate trimming
- Clear grid with inch and metric scales
- Metal base won't warp, shrink or crack
- Non-skid rubber feet
- Limited lifetime warranty



EDL12E	12" Trimmer	12E
EDL15E	15" Trimmer	15E
EDL18E	18" Trimmer	18E

DAHLE Cut-Cat Rolling Trimmers

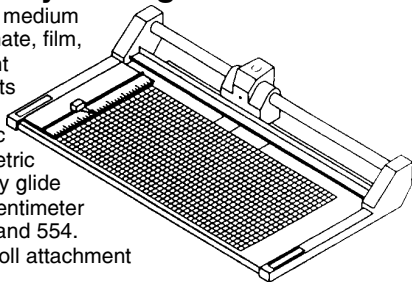
Lightweight, compact and safe. Self-sharpening rotary blade enclosed in a housing so it is only exposed to the cutting edge. Transparent clamp and work surface ruled in inches. Quick reference marks for proper alignment of material. Rubber pads for stability.



EDL507	12½" cutting length	507
EDL508	18" cutting length	508
EDL500R	Replacement Blade Assembly for 507/508	RBAC

DAHLE Heavy Duty Rolling Trimmer

For precision cutting of light to medium weight material. Ideal for laminate, film, acetate, poster board, blueprint paper, etc. Cuts up to 10 sheets of 20lb. paper. Safe rotary blade shielded by tough plastic housing. Accurate inch and metric ruler with backstop. Heavy duty glide bar. Table area calibrated in centimeter squares on models 550, 552, and 554. Lifetime Guarantee. Optional roll attachment available.



EDL550	13¾" cutting length	550
EDL552	18⅛" cutting length	552
EDL554	26⅜" cutting length	554
EDL556	37½" cutting length	556
EDL558	50" cutting length	558

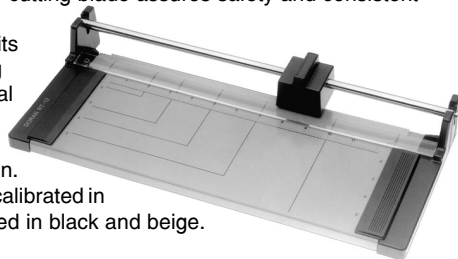
Doran Rotary Trimmers

Designed to cut single sheets of paper or film. Shielded, self-sharpening, high quality steel rotary cutting blade assures safety and consistent sharp cutting edge.

Transparent plate permits careful alignment during set up and holds material firmly in place while cutting.

Compact portable design.

Steel working surface, calibrated in inches, color coordinated in black and beige.

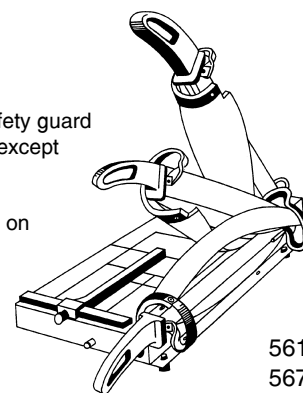


EAR133	18" rotary trimmer	RT18
--------	--------------------	------

DAHLE

All-Metal Lever Cutter

Precision made with patented Dahle safety guard which prevents the cutting of anything, except paper properly inserted underneath the clamping bar. Metric and US scales. Adjustable back stops and safety guard on both models.



EDL561	14½" cutting length	561
EDL567	21½" cutting length	567

DAHLE

Safety First Lever Cutters

Quality and safety characterize these lever action paper cutters. Trims up to 10 sheets of paper quickly and easily.

Lightweight, but sturdy, polyboard resin base with guidelines for trimming a variety of formats.

Upper and lower blades made from Solingen steel for a precise cut every time.

Patented design prevents upper blade from flying up or dropping down.

Transparent fan and finger guard holds paper securely during cut while protecting fingers. Integrated scale bar and an adjustable backstop for accurate trimming.



EDL403	Safety First Lever Cutter - 12"	403
EDL404	Safety First Lever Cutter - 18"	404

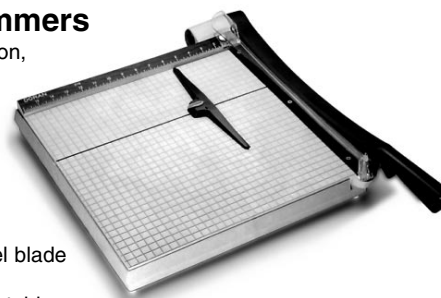
Doran Paper Trimmers

Made of tough, strong Styron, the beige and dark brown body is moisture proof... it will not warp or crack.

A transparent guard keeps fingers safe, yet doesn't hamper visibility or restrict sheet size.

The hardened, ground steel blade cuts cleanly and precisely.

The trimming guide is adjustable and the paper or board can't slip under it.



EAR115	15" paper trimmer	5115
--------	-------------------	------

PERSONAL SERVICE IS OUR #1 PRIORITY



East: 111 Asia Place, Carlstadt, NJ 07072 (201) 939-7722 FAX: (201) 939-7782
 West: 2710 McCone Ave., Hayward, CA 94545 (510) 293-0575 FAX: (510) 293-0565